

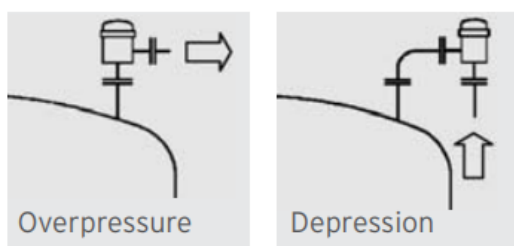


Pressure or Vacuum retention Valves

The Pressure or Vacuum retention Valves are used to ensure pressure equalisation at low-pressure levels. These valves Type 4600 made by Sena Plastics AG can be installed in various processes as a pressure retention valve or under pressure retention valve and overflow valve. The valve is especially suitable for use in applications in which machines, storage tanks, agitator vessels and centrifuges are rendered inert.

Use

For inertisation of process apparatus, storage tanks, mixer containers, centrifuges and so on. Two types of assembly:



Range of application:

- 5 to 180 mbar (50 to 1800 mmWC)
- Pressure resistant, 1 to 2 bar

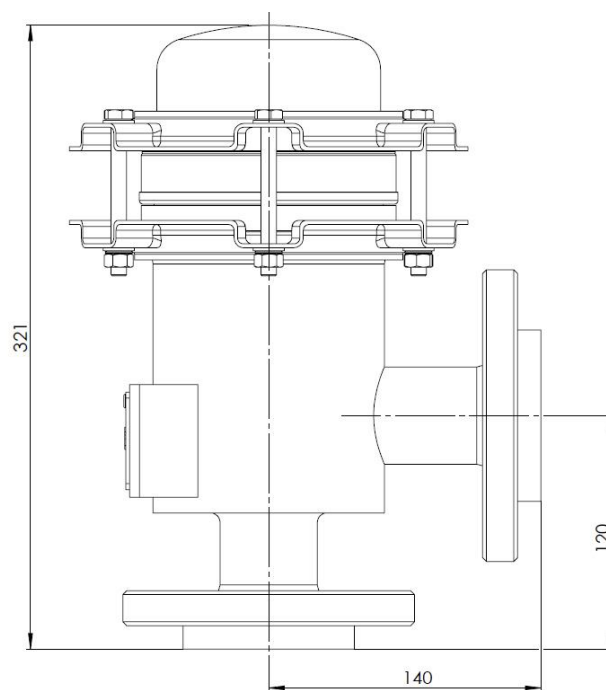
Materials:

<u>Body / Valve</u>	<u>Gasket</u>	<u>Cover</u>
PE / PE-el PP / PVDF PTFE / 1.4301	FFPM	Borosilicate Glass

Other Materials variations are also possible on request.

Connections

DN	20 / 25 / 32 / 40 / 50
PN	10 / 16



Information

Please contact us for more information on our special products or go to our home page:
www.senaplastics.ch